

Qty. Description

1 **CMBE 3-93 I-U-C-D-D-A**



Note! Product picture may differ from actual product

Product No.: [98374694](#)

The Grundfos CMBE booster is a compact booster system for water supply in domestic applications. The integrated speed controller enables the CMBE booster to keep constant pressure in the pipe system. A pressure sensor monitoring changes in the water consumption signals the speed controller to change motor speed to adapt performance to the new state.

The CMBE booster is very easy to install. When the system has been connected to the pipes, it is all a matter of inserting the plug into a power supply socket, and the system is operational.

The CMBE booster consists of the following:

- CME pump with integrated frequency converter
- Five-way valve
- expansion tank
- pressure gauge

The Grundfos CMBE booster requires no external motor protection.

The MGE motor incorporates thermal protection against slow overloading and blocking (IEC 34.11: TP 211).

The Grundfos CMBE booster is mainly used for domestic and light commercial water supply or booster systems.

NB:

Suction lift: maximum 1 m, including inlet pipe pressure loss at a liquid temperature of 20 °C (not self-priming).

Controls:

Type of connector: No plug

Frequency converter: Built-in

Liquid:

Pumped liquid: Water

Liquid temperature range: 0 .. 60 °C

Selected liquid temperature: 20 °C

Density: 998.2 kg/m³

Technical:

Pump speed on which pump data are based: 3868 rpm

Rated flow: 4.2 m³/h

Rated head: 66.3 m

Code for shaft seal: AVBE

Approvals: CE,EAC,CN ROHS EXE,MORO,UKCA

Approvals for drinking water: WRAS

Curve tolerance: ISO9906:2012 3B

Return valve: YES

Start pressure: Integrated Frequency converter

Tank volume: 2 l

Materials:

Pump housing: Stainless steel



Company name:

Created by:

Phone:

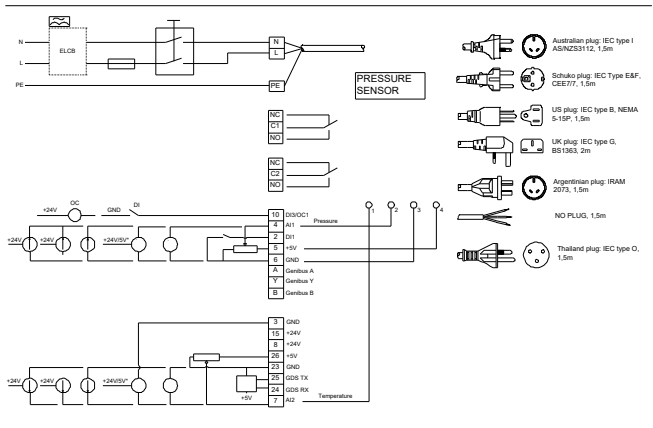
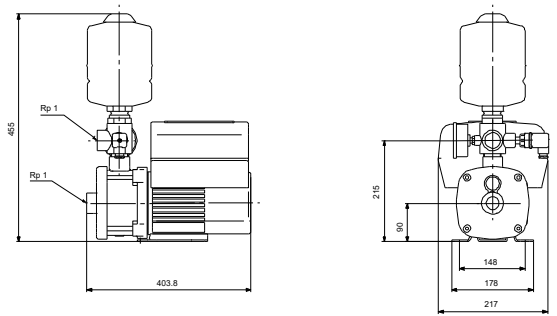
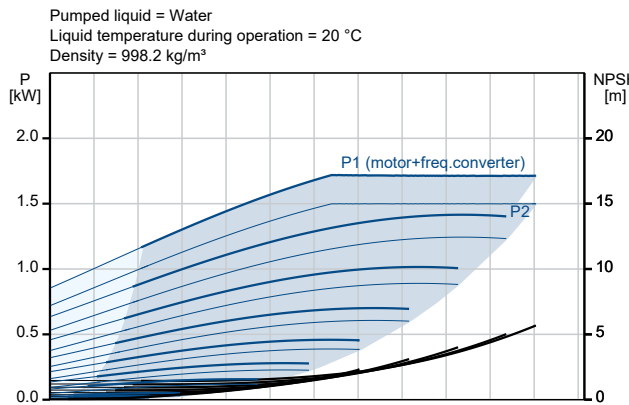
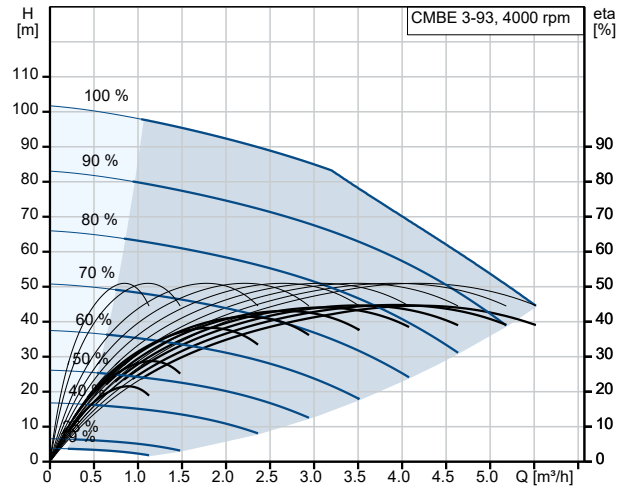
Date:

09/04/2024

Qty. Description

| | | |
|---|---------------------------------|----------------------|
| 1 | | EN 1.4301 |
| | | AISI 304 |
| | Impeller: | Stainless steel |
| | | EN 1.4301 |
| | | AISI 304 |
| | Installation: | |
| | Maximum ambient temperature: | 55 °C |
| | Maximum operating pressure: | 10 bar |
| | Pipe connection standard: | ISO 228-1 |
| | Type of inlet connection: | Rp |
| | Type of outlet connection: | Rp |
| | Size of inlet connection: | 1 |
| | Size of outlet connection: | 1 |
| | Pressure rating for connection: | PN 10 |
| | Electrical data: | |
| | Rated power - P2: | 1.5 kW |
| | Mains frequency: | 50 Hz |
| | Rated voltage: | 1 x 200-240 V |
| | Maximum current consumption: | 9.10-7.60 A |
| | Rated speed: | 360-4000 rpm |
| | Enclosure class (IEC 34-5): | IP55 |
| | Insulation class (IEC 85): | F |
| | Length of cable: | 1.5 m |
| | Power plug: | No plug |
| | Others: | |
| | Net weight: | 19.1 kg |
| | Gross weight: | 29.5 kg |
| | Shipping volume: | 0.159 m ³ |
| | Country of origin: | HU |
| | Custom tariff no.: | 84137075 |
| | Environmental approvals: | WEEE |

| Description | Value |
|--|--------------------------------|
| General information: | |
| Product name: | CMBE 3-93 I-U-C-D-D-A |
| Product No: | 98374694 |
| EAN number: | 5711493909347 |
| Price: | GBP 2706 |
| Technical: | |
| Pump speed on which pump data are based: | 3868 rpm |
| Rated flow: | 4.2 m³/h |
| Rated head: | 66.3 m |
| Impellers: | 6 |
| Code for shaft seal: | AVBE |
| Approvals: | CE,EAC,CN ROHS EXE,MORO,UKCA |
| Approvals for drinking water: | WRAS |
| Curve tolerance: | ISO9906:2012 3B |
| Model: | A |
| Return valve: | YES |
| Start pressure: | Integrated Frequency converter |
| Tank volume: | 2 l |
| Materials: | |
| Pump housing: | Stainless steel |
| Pump housing: | EN 1.4301 |
| Pump housing: | AISI 304 |
| Impeller: | Stainless steel |
| Impeller: | EN 1.4301 |
| Impeller: | AISI 304 |
| Code for rubber: | EPDM |
| Installation: | |
| Maximum ambient temperature: | 55 °C |
| Maximum operating pressure: | 10 bar |
| Pipe connection standard: | ISO 228-1 |
| Type of inlet connection: | Rp |
| Type of outlet connection: | Rp |
| Size of inlet connection: | 1 |
| Size of outlet connection: | 1 |
| Pressure rating for connection: | PN 10 |
| Liquid: | |
| Pumped liquid: | Water |
| Liquid temperature range: | 0 .. 60 °C |
| Selected liquid temperature: | 20 °C |
| Density: | 998.2 kg/m³ |
| Electrical data: | |
| Rated power - P2: | 1.5 kW |
| Mains frequency: | 50 Hz |
| Rated voltage: | 1 x 200-240 V |
| Maximum current consumption: | 9.10-7.60 A |
| Rated speed: | 360-4000 rpm |
| Enclosure class (IEC 34-5): | IP55 |
| Insulation class (IEC 85): | F |
| Length of cable: | 1.5 m |
| Power plug: | No plug |
| Controls: | |
| Type of connector: | No plug |
| Frequency converter: | Built-in |
| Others: | |
| Net weight: | 19.1 kg |
| Gross weight: | 29.5 kg |





Company name:

Created by:

Phone:

Date:

09/04/2024

| Description | Value |
|--------------------------|----------------------|
| Shipping volume: | 0.159 m ³ |
| Config. file no: | 98442578 |
| Country of origin: | HU |
| Custom tariff no.: | 84137075 |
| Environmental approvals: | WEEE |