




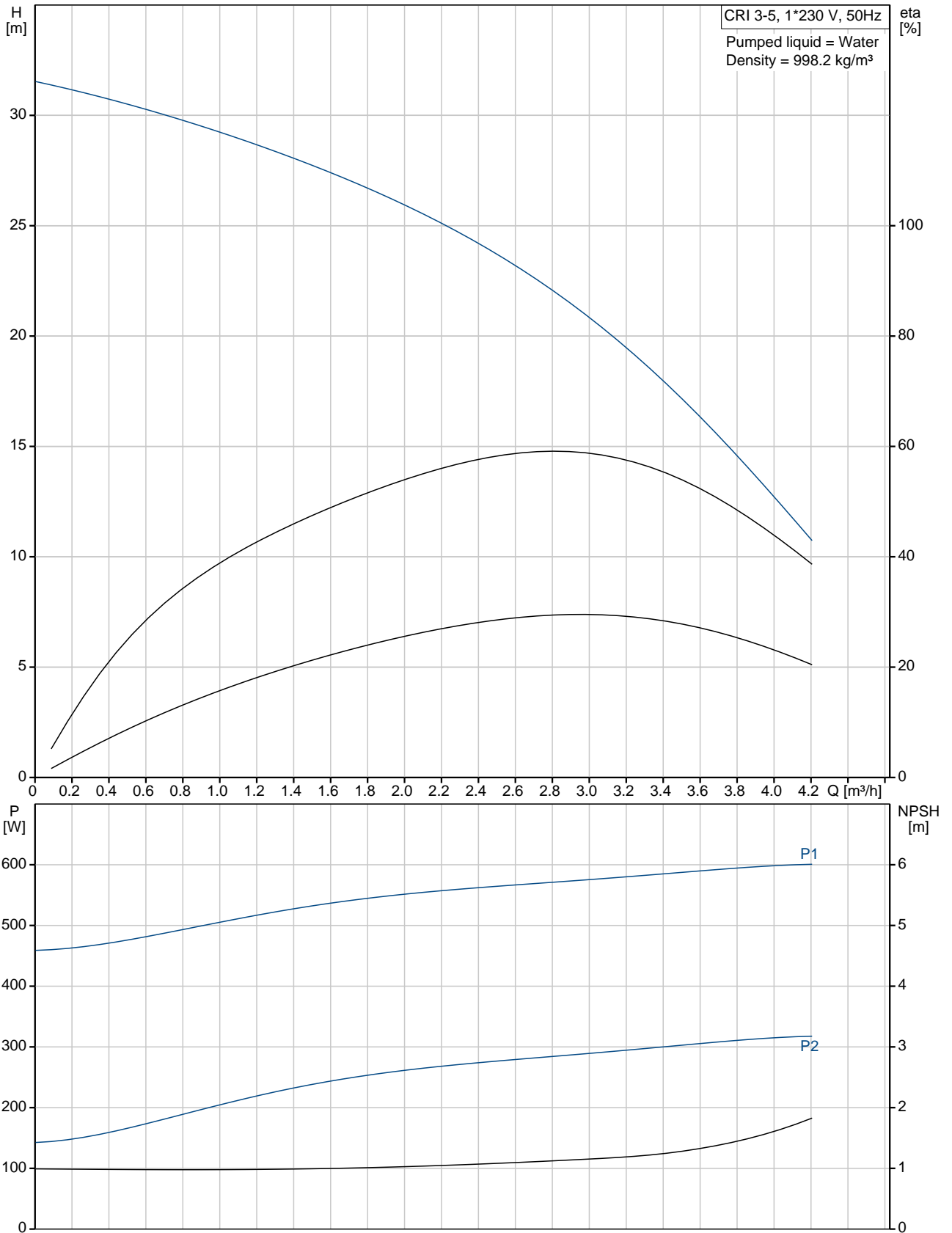
Position	Qty.	Description																																
	1	<p>CRI 3-5 A-CA-I-V-HQQV</p>  <p style="text-align: right;">Note! Product picture may differ from actual product</p> <p>Product No.: 96533212 Vertical, non-self-priming, multistage, in-line, centrifugal pump for installation in pipe systems and mounting on a foundation.</p> <p>The pump has the following characteristics:</p> <ul style="list-style-type: none"> - Impellers, intermediate chambers and outer sleeve are made of Stainless steel, DIN W.-Nr. 1.4301. - Pump head cover and base are made of Stainless steel, DIN W.-Nr. 1.4408. - The shaft seal has assembly length according to EN 12756. - Power transmission is via cast iron split coupling. - Pipework connection is via CLAMP flanges/couplings. <p>The motor is a 1-phase AC motor.</p> <p>Liquid:</p> <table border="0"> <tr><td>Pumped liquid:</td><td>Water</td></tr> <tr><td>Liquid temperature range:</td><td>-20 .. 90 °C</td></tr> <tr><td>Liquid temp:</td><td>20 °C</td></tr> <tr><td>Density:</td><td>998.2 kg/m³</td></tr> <tr><td>Kinematic viscosity:</td><td>1 mm²/s</td></tr> </table> <p>Technical:</p> <table border="0"> <tr><td>Speed for pump data:</td><td>2757 rpm</td></tr> <tr><td>Rated flow:</td><td>3 m³/h</td></tr> <tr><td>Rated head:</td><td>21.7 m</td></tr> <tr><td>Shaft seal:</td><td>HQQV</td></tr> <tr><td>Approvals on nameplate:</td><td>CE</td></tr> </table> <p>Materials:</p> <table border="0"> <tr><td>Pump housing:</td><td>Stainless steel</td></tr> <tr><td>Pump housing:</td><td>DIN W.-Nr. 1.4408</td></tr> <tr><td>Pump housing:</td><td>ASTM A 351 CF 8M</td></tr> <tr><td>Impeller:</td><td>Stainless steel</td></tr> <tr><td>Impeller:</td><td>DIN W.-Nr. 1.4301</td></tr> <tr><td>Impeller:</td><td>AISI 304</td></tr> </table> <p>Installation:</p> <p>Maximum ambient temperature: 40 °C</p>	Pumped liquid:	Water	Liquid temperature range:	-20 .. 90 °C	Liquid temp:	20 °C	Density:	998.2 kg/m ³	Kinematic viscosity:	1 mm ² /s	Speed for pump data:	2757 rpm	Rated flow:	3 m ³ /h	Rated head:	21.7 m	Shaft seal:	HQQV	Approvals on nameplate:	CE	Pump housing:	Stainless steel	Pump housing:	DIN W.-Nr. 1.4408	Pump housing:	ASTM A 351 CF 8M	Impeller:	Stainless steel	Impeller:	DIN W.-Nr. 1.4301	Impeller:	AISI 304
Pumped liquid:	Water																																	
Liquid temperature range:	-20 .. 90 °C																																	
Liquid temp:	20 °C																																	
Density:	998.2 kg/m ³																																	
Kinematic viscosity:	1 mm ² /s																																	
Speed for pump data:	2757 rpm																																	
Rated flow:	3 m ³ /h																																	
Rated head:	21.7 m																																	
Shaft seal:	HQQV																																	
Approvals on nameplate:	CE																																	
Pump housing:	Stainless steel																																	
Pump housing:	DIN W.-Nr. 1.4408																																	
Pump housing:	ASTM A 351 CF 8M																																	
Impeller:	Stainless steel																																	
Impeller:	DIN W.-Nr. 1.4301																																	
Impeller:	AISI 304																																	



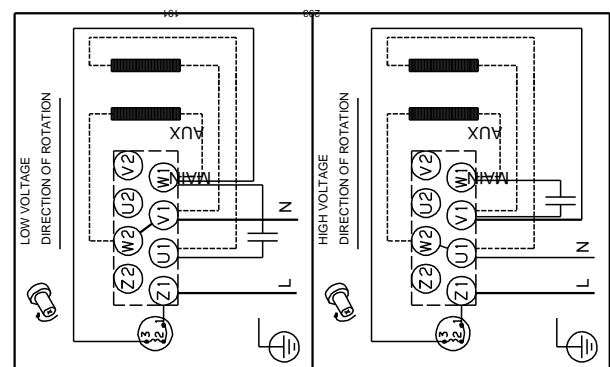
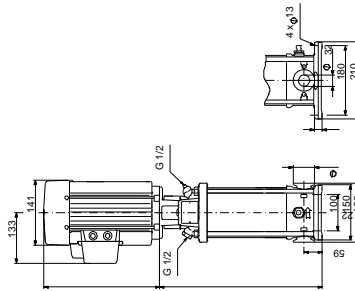
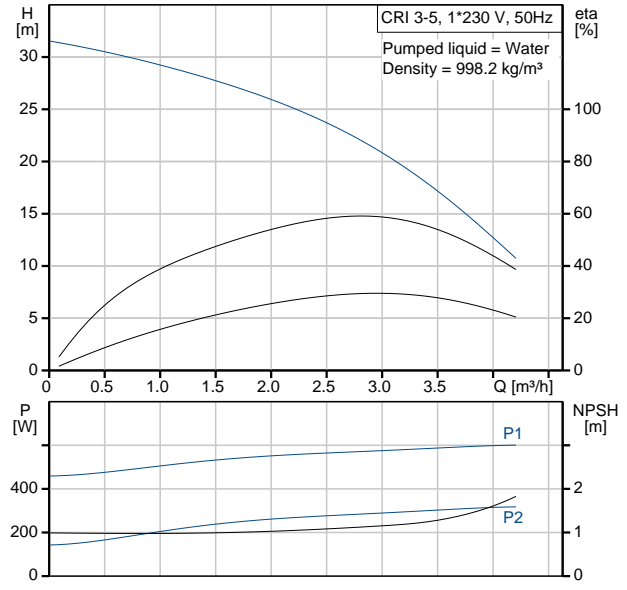
Position	Qty.	Description
		Max pressure at stated temp: 25 bar / 90 °C Max pressure at stated temp: 25 bar / -20 °C Flange standard: CLAMP Pipe connection: 59 mm Flange size for motor: FT85 Electrical data: Motor type: 71B IE Efficiency class: NA Number of poles: 2 Rated power - P2: 0.37 kW Power (P2) required by pump: 0.37 kW Mains frequency: 50 Hz Rated voltage: 1 x 220-230/240 V Rated current: 2,95/2,70 A Starting current: 280 % Cos phi - power factor: 0,99 Rated speed: 2770 rpm Motor efficiency at full load: 60,0-56,0 % Enclosure class (IEC 34-5): 55 (Protect. water jets/dust) Insulation class (IEC 85): F Others: Net weight: 18.2 kg Gross weight: 20.8 kg Shipping volume: 0.05 m3



96533212 CRI 3-5 50 Hz



Description	Value
Product name:	CRI 3-5 A-CA-I-V-HQQV
Product No:	96533212
EAN number:	5700397434598
Technical:	
Speed for pump data:	2757 rpm
Rated flow:	3 m³/h
Rated head:	21.7 m
Impellers:	5
Shaft seal:	HQQV
Approvals on nameplate:	CE
Stages:	5
Pump version:	A
Model:	A
Materials:	
Pump housing:	Stainless steel DIN W.-Nr. 1.4408
Impeller:	Stainless steel ASTM A 351 CF 8M DIN W.-Nr. 1.4301 AISI 304
Material code:	I
Code for rubber:	V
Installation:	
Maximum ambient temperature:	40 °C
Max pressure at stated temp:	25 bar / 90 °C 25 bar / -20 °C
Flange standard:	CLAMP
Connect code:	CA
Pipe connection:	59 mm
Flange size for motor:	FT85
Liquid:	
Pumped liquid:	Water
Liquid temperature range:	-20 .. 90 °C
Liquid temp:	20 °C
Density:	998.2 kg/m³
Kinematic viscosity:	1 mm²/s
Electrical data:	
Motor type:	71B
IE Efficiency class:	NA
Number of poles:	2
Rated power - P2:	0.37 kW
Power (P2) required by pump:	0.37 kW
Mains frequency:	50 Hz
Rated voltage:	1 x 220-230/240 V
Rated current:	2,95/2,70 A
Starting current:	280 %
Cos phi - power factor:	0,99
Rated speed:	2770 rpm
Motor efficiency at full load:	60,0-56,0 %
Enclosure class (IEC 34-5):	55 (Protect. water jets/dust)
Insulation class (IEC 85):	F
Motor protec:	PTO
Motor No:	85215102
Others:	
Net weight:	18.2 kg
Gross weight:	20.8 kg
Shipping volume:	0.05 m3
Sales region:	GB



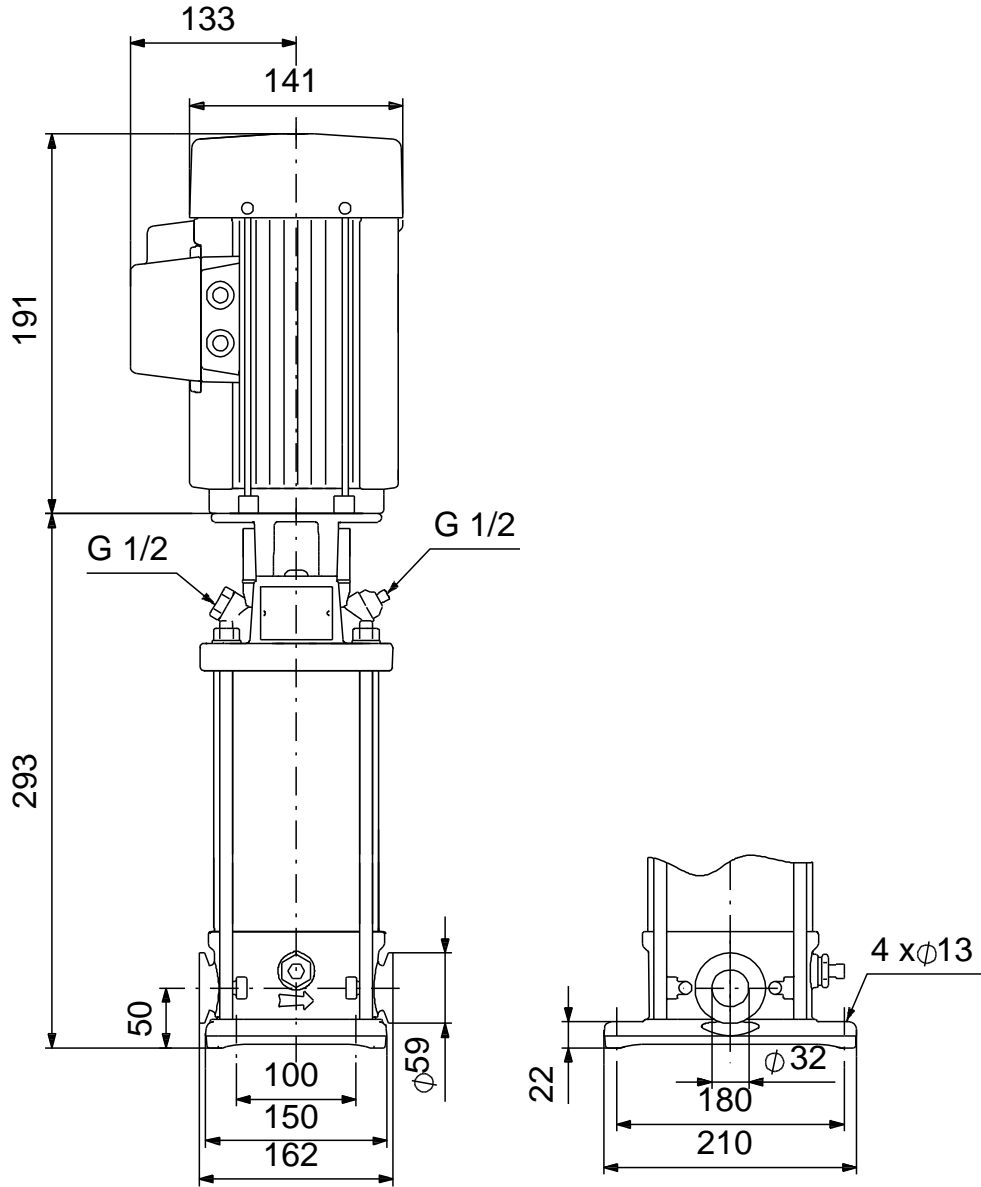


Company name: -
Created by: -
Phone: -
Fax: -
Date: -

Description	Value
-------------	-------



96533212 CRI 3-5 50 Hz



Note! All units are in [mm] unless others are stated.
Disclaimer: This simplified dimensional drawing does not show all details.