



Position	Qty.	Description
----------	------	-------------

1	CRI 3-7 A-CA-I-V-HQQV
---	-----------------------



Note! Product picture may differ from actual product

Product No.: [96533215](#)

Vertical, non-self-priming, multistage, in-line, centrifugal pump for installation in pipe systems and mounting on a foundation.

The pump has the following characteristics:

- Impellers, intermediate chambers and outer sleeve are made of Stainless steel, DIN W.-Nr. 1.4301.
- Pump head cover and base are made of Stainless steel, DIN W.-Nr. 1.4408.
- The shaft seal has assembly length according to EN 12756.
- Power transmission is via cast iron split coupling.
- Pipework connection is via CLAMP flanges/couplings.

The motor is a 1-phase AC motor.

Liquid:

Pumped liquid:	Water
Liquid temperature range:	-20 .. 90 °C
Liquid temp:	20 °C
Density:	998.2 kg/m ³
Kinematic viscosity:	1 mm ² /s

Technical:

Speed for pump data:	2750 rpm
Rated flow:	3 m ³ /h
Rated head:	30.6 m
Shaft seal:	HQQV
Approvals on nameplate:	CE

Materials:

Pump housing:	Stainless steel
Pump housing:	DIN W.-Nr. 1.4408
Pump housing:	ASTM A 351 CF 8M
Impeller:	Stainless steel
Impeller:	DIN W.-Nr. 1.4301
Impeller:	AISI 304

Installation:

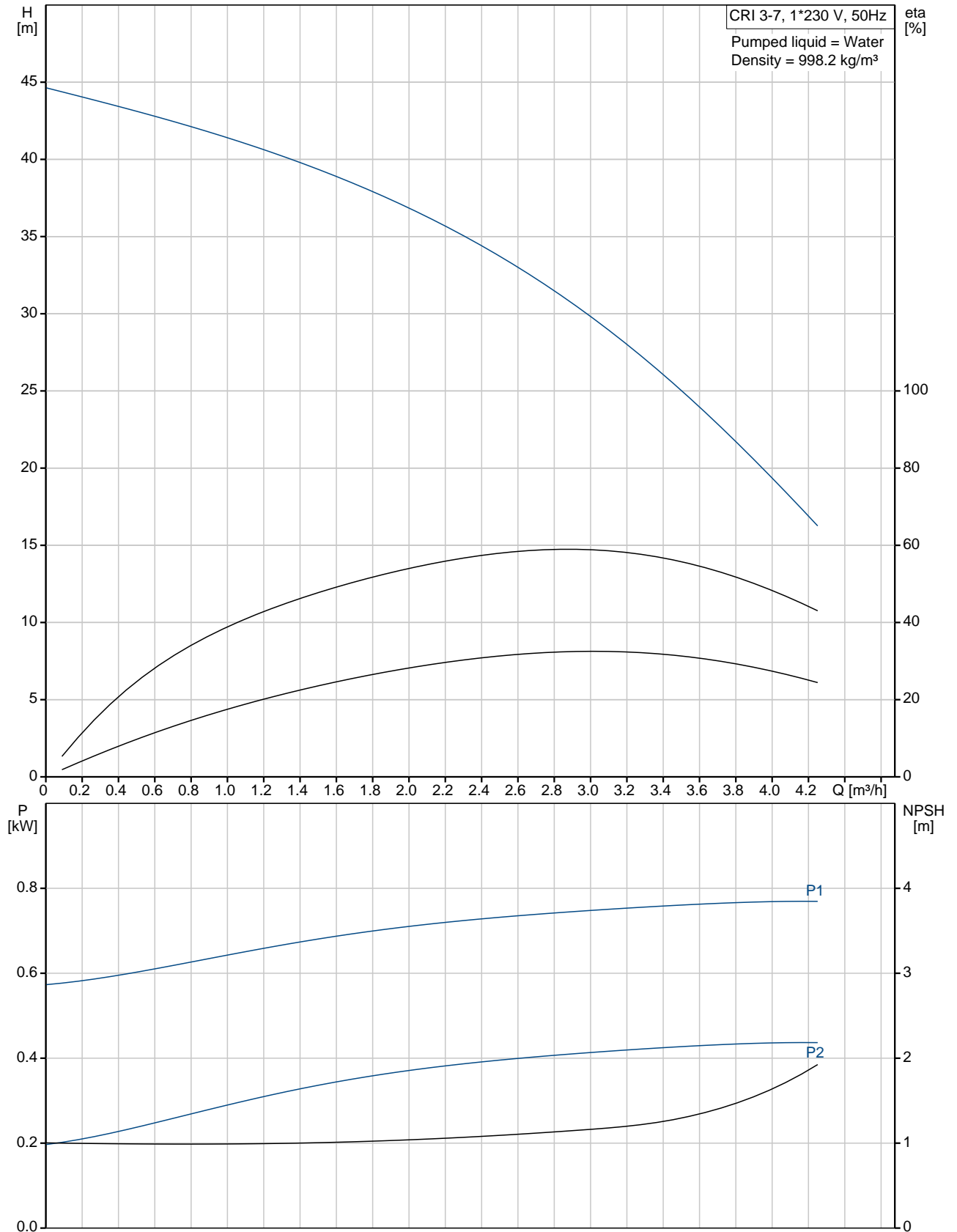
Maximum ambient temperature: 40 °C



Position	Qty.	Description
		Max pressure at stated temp: 25 bar / 90 °C Max pressure at stated temp: 25 bar / -20 °C Flange standard: CLAMP Pipe connection: 59 mm Flange size for motor: FT100 Electrical data: Motor type: 80A IE Efficiency class: NA Number of poles: 2 Rated power - P2: 0.55 kW Power (P2) required by pump: 0.55 kW Mains frequency: 50 Hz Rated voltage: 1 x 220-230/240 V Rated current: 4,00/3,65 A Starting current: 280 % Cos phi - power factor: 0,99 Rated speed: 2750 rpm Motor efficiency at full load: 66-64 % Enclosure class (IEC 34-5): 55 (Protect. water jets/dust) Insulation class (IEC 85): F Others: Net weight: 21.3 kg Gross weight: 24 kg Shipping volume: 0.05 m3



96533215 CRI 3-7 50 Hz



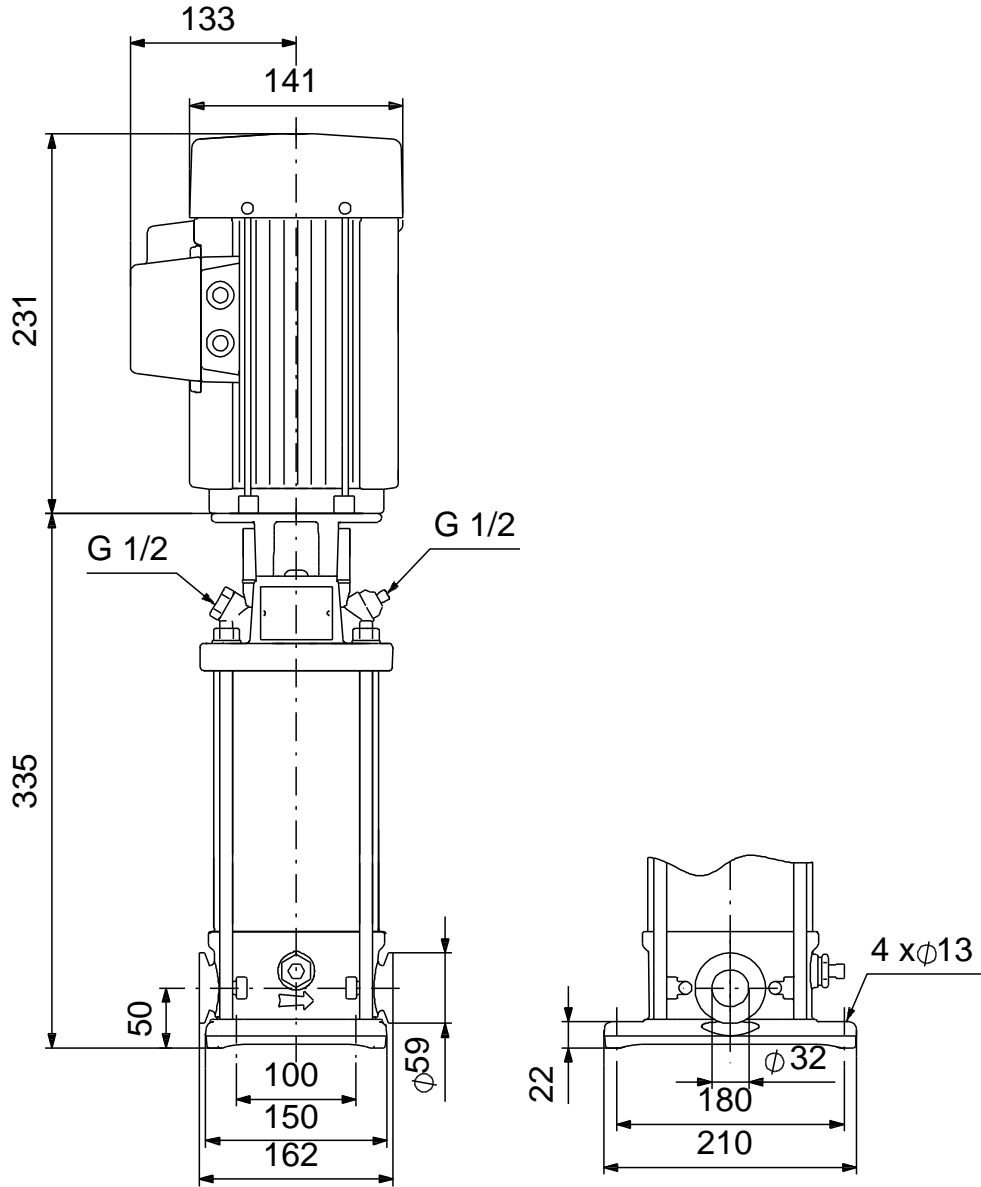


Company name: -
Created by: -
Phone: -
Fax: -
Date: -

Description	Value
-------------	-------



96533215 CRI 3-7 50 Hz



Note! All units are in [mm] unless others are stated.
Disclaimer: This simplified dimensional drawing does not show all details.